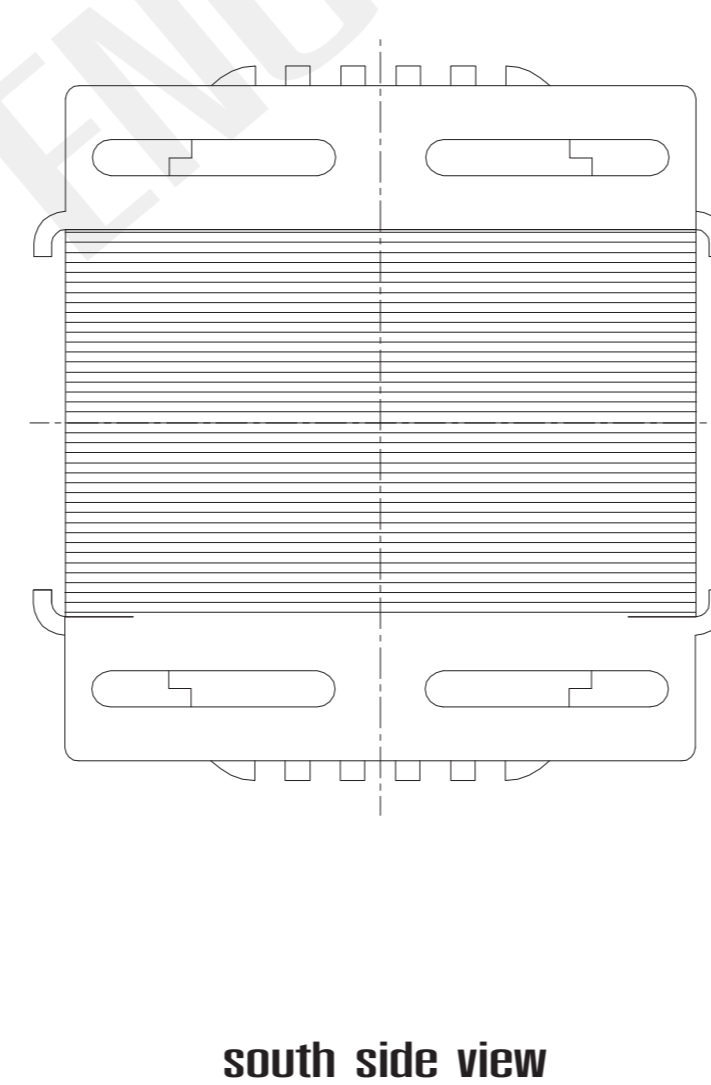
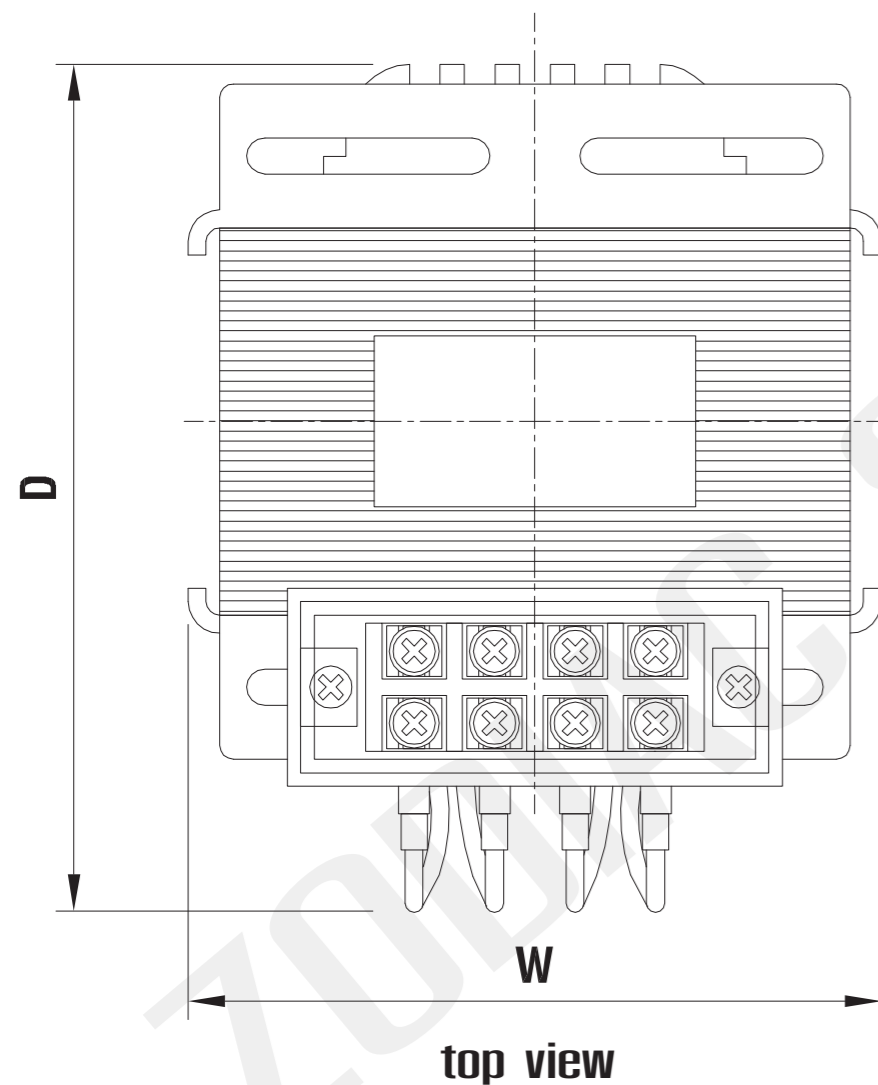
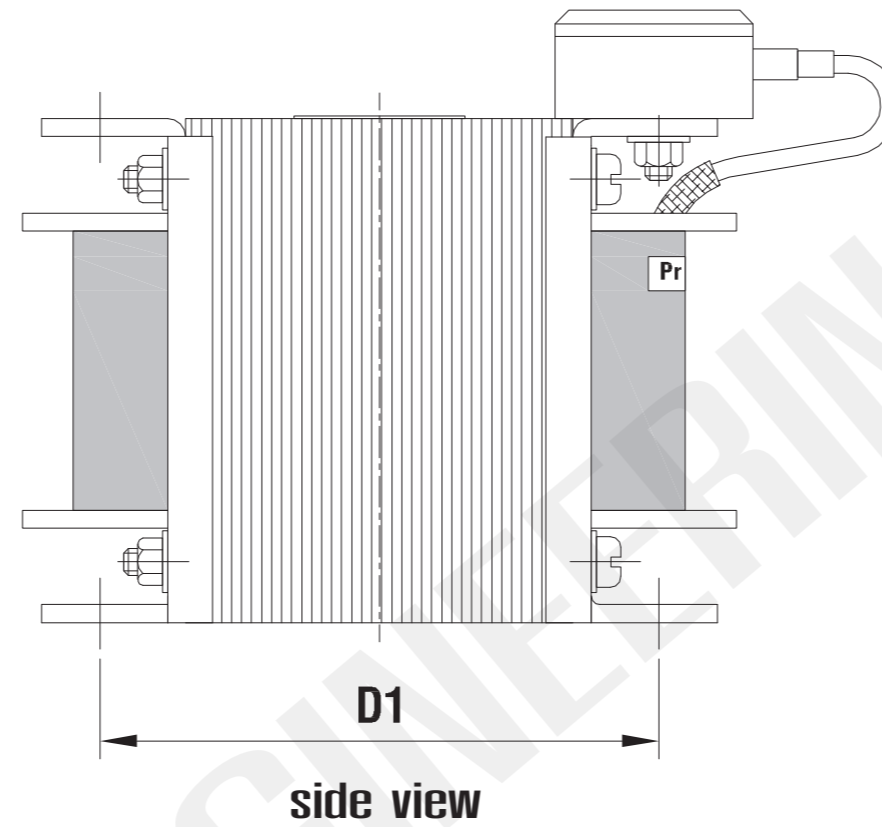
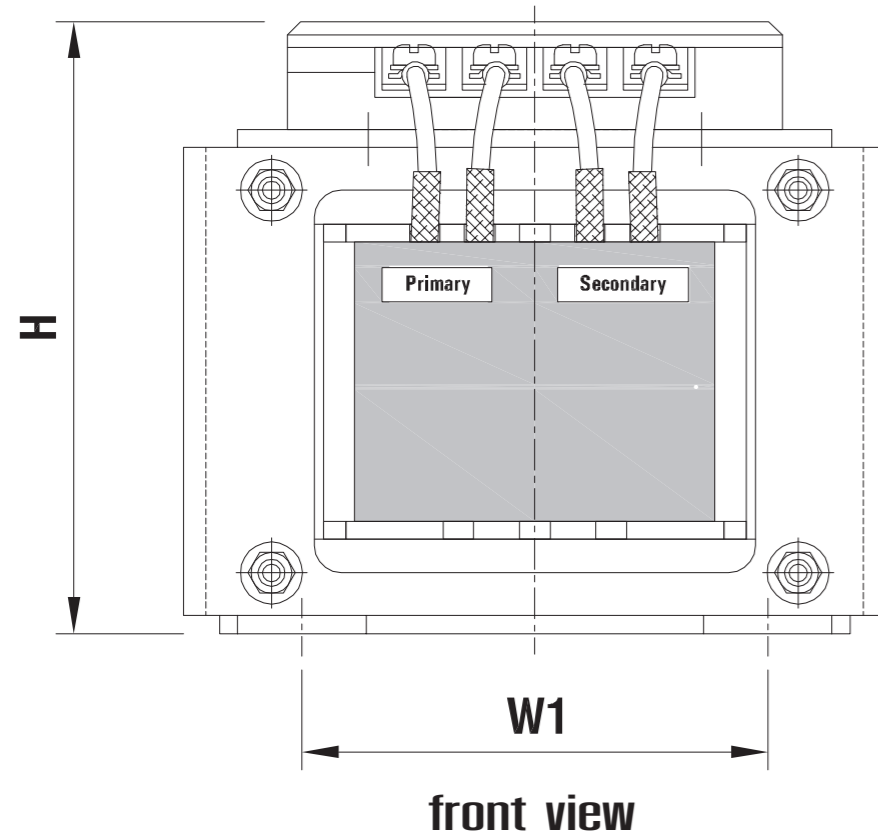


TRANSFORMER & REACTOR SPECIALIST

ESTEL in collaboration with
Wagner + Grimm AG (Switzerland)



1PH. SEPARATED WINDING TRANSFORMER



1 ph Separate Winding Transformer

Type	TR-7257
Primary Voltage	220V
Frequency	50Hz
Secondary Voltage	24V
Output Power	100VA
Vector Group	Dd-0
Conductor	Copper
Ambient Temp.	50 °C
Design Standard	IEC 61558

Routine Test

1. Construction & dimension check
2. Measurement of winding resistance
3. Measurement of voltage ratio and check of phase displacement
4. Measurement of short-circuit impedance and load loss
5. Measurement of no-load loss and current
6. Separate-source AC withstand voltage test
7. Measurement of insulation resistance

Overall-dimension

Dimension $\pm 15\%$					Approx. weight (kgs.) $\pm 10\%$
W mm.	W1 mm.	H mm.	D mm.	D1 mm.	
81	51	82	140	86	2.70